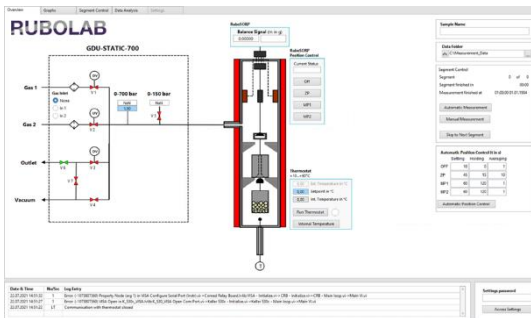
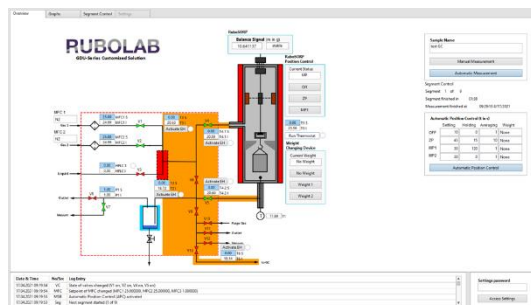


# RUBOLAB

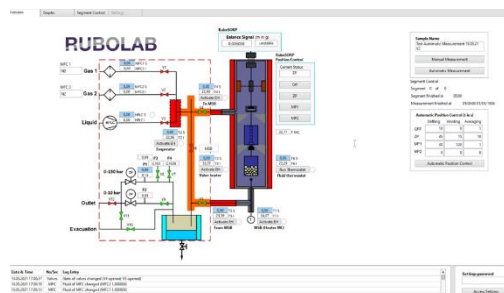
RECENTLY INSTALLED MSB UNITS, UPDATED 10.08.2021



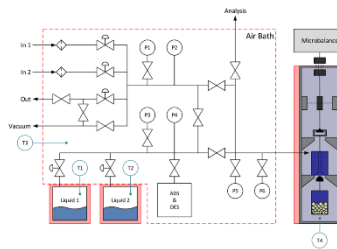
**Destination:** Switzerland  
**Type:** GDU STATIC-700 + RuboSORP 700  
**Pressure:** 700 bar  
**Temperature:** 120 °C  
**Research:** Hydrogen storage



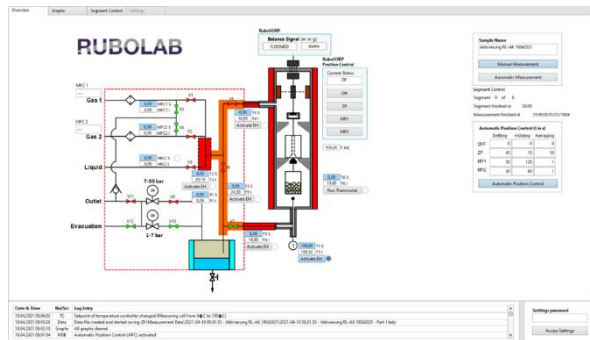
**Destination:** China  
**Type:** GDU DYNAMIC + RuboSORP HR  
**Pressure:** 1 bar  
**Temperature:** 120 °C  
**Research:** Permeation, diffusion



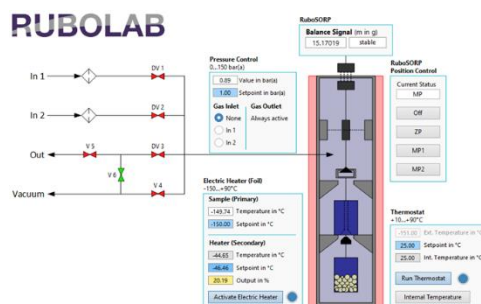
**Destination:** Korea  
**Type:** GDU DYNAMIC-150 + RuboSORP 150  
**Pressure:** 150 bar  
**Temperature:** 400 °C  
**Research:** Adsorption



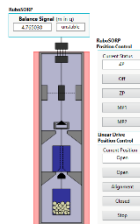
**Destination:** Germany  
**Type:** GDU DYNAMIC + RuboSORP HR  
**Pressure:** 150 bar  
**Temperature:** 450 °C  
**Research:** Gas/vapour adsorption



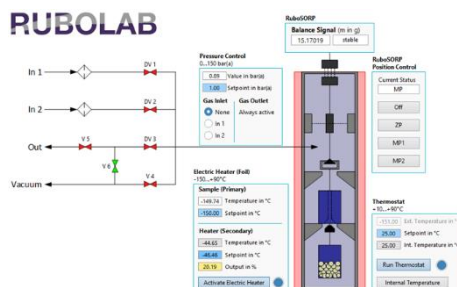
**Destination:** Germany  
**Type:** GDU DYNAMIC + RuboSORP  
**Pressure:** 50 bar  
**Temperature:** 450 °C  
**Research:** Gas/vapour adsorption



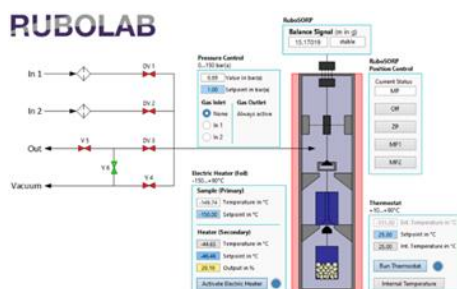
**Destination:** China  
**Type:** RuboSORP HR  
**Pressure:** 150 bar  
**Temperature:** 450 °C  
**Research:** Permeation, diffusion



**Destination:** China  
**Type:** RuboSORP HR  
**Pressure:** 1 bar  
**Temperature:** 900°C  
**Research:** Gasification



**Destination:** Korea  
**Type:** RuboSORP 150  
**Pressure:** 150 bar  
**Temperature:** -196°C to 100°C  
**Research:** Adsorption



**Destination:** Germany  
**Type:** RuboSORP 700  
**Pressure:** 700 bar  
**Temperature:** 150°C  
**Research:** Adsorption